

Wilkhahn

IN. 184 range.





IN.

The IN office chair is considered the most dynamic and at the same time most comfortable office chair. It stimulates body and mind and is relaxing at the same time. The two swivel arms move independently of one another and interact perfectly with the black or white seat and back made of state-of-the-art two-component technology and the 3D Formstrick cover. Body and chair merge to become a unit that's flexible in all directions and can tilt forwards. Counter pressure can be adjusted to users weighing from 45 to 140 kilos. And of course all the practical adjustment options for armrests, lumbar support and seat depth are available too.

Design: wiege

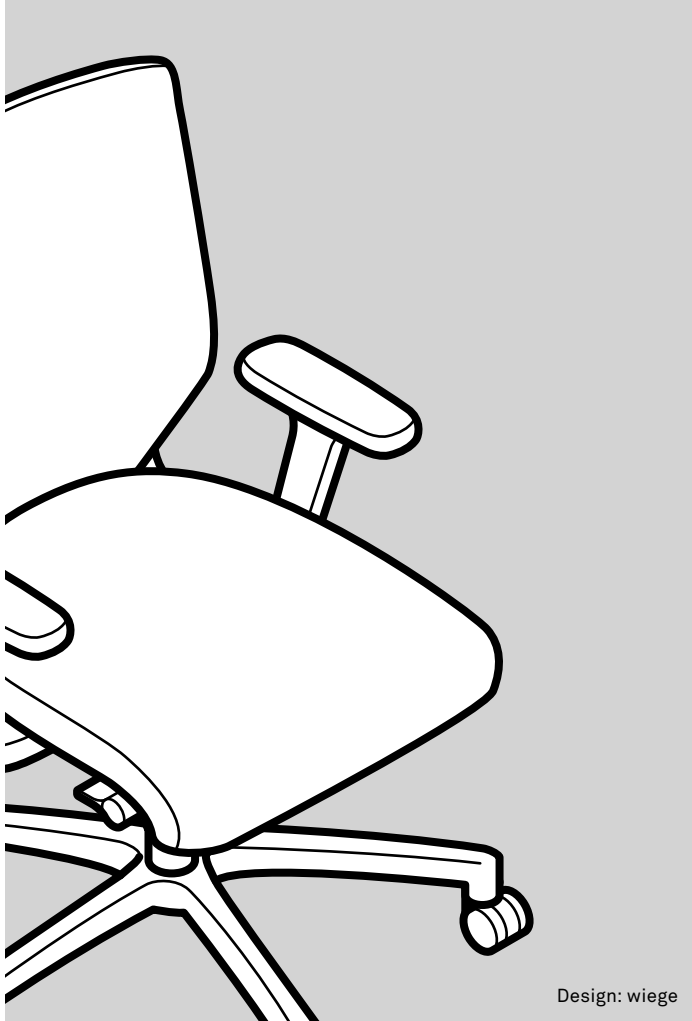






IN. 184 range. Technical details.

Wilkhahn



Design: wiege

Function

An office task chair with Trimension®, integrated synchronously supporting 3D kinematics which allows the right-hand and left-hand half of the seat to be tilted in any direction via two swivel arms that move independently of one another. The goal is to encourage the natural range of motion the human pelvis is capable of which includes flexing, extending and moving it sideways to rotating it. The combination of the 3D synchronous adjustment mechanism with a highly elastic seat and back guarantees the chair adapts automatically to any movement made or posture adopted by the person sitting on it. As a result, the body is supported in any position and maintains its centre of gravity. The counter pressure, which provides support in any direction moved in, is precision adjustable for people weighing from 45 to 140 kg by changing the elasticity. The backrest has optional, height-adjustable lumbar support (in six lockable positions of up to 60 mm).

The backrest and seat can be locked in the neutral sitting position, the 3D frontwards tilt of 5° can be activated by pressing a button in order to harness the maximum range of motion. The seating height can be precisely adjusted at the touch of a button between 400 mm and 520 mm with a DIN 4550-compliant gas lift. Seat depth: 430 mm, optionally with seat depth that can be adjusted while sitting down in 4 lockable positions of 400 to 450 mm.

Frame

Task chairs

Five-star base made of black through-dyed, glass-fibre-reinforced polyamide, optionally die-cast aluminium, coated, polished or high-lustre polished. Twin wheel swivel castors with load-dependent braking, made of black polypropylene compliant with DIN EN 12529 as the standard version for carpets; optionally with grey polyurethane tyre for hard floors. Castors optionally electrically conductive. Gas lift covered by telescopic protective tube made of black through-dyed polypropylene. Mechanism cover made of die-cast aluminium, coated matt black with black through-dyed polypropylene bellows and thermoplastic elastomer to accommodate the flexibly mounted central spring, knob to adjust the counter pressure made of polyamide (for people weighing from 45 to 140 kg). Each chair has two swivel arms, which can move independently of one another, made of die-cast aluminium, coated, matt polished or high-lustre polished, with protective caps made of polypropylene.

Counter stool

Star base from the ON 170 range, with additional height-adjustable foot ring, bright chrome plated, with lock screw to affix it and twin wheel swivel castors with load-dependent braking.

24-hour chairs

Always with die-cast aluminium star base, with extra swivel arm supports and high-performance covers. Designed for people weighing up to 150 kg, the models also comply with the British Standard.

IN. 184 range. Technical details.

Wilkhahn

Seat and back

Unitary, highly elastic and flexibly suspended seat and back made of high-performance polyamide. Seat shell made of black or white through-dyed polyamide with polypropylene seat upholstery panel.

Polyurethane seat cushions with CFC-free foam, covered in Racer, optionally also with Formstrick (form-fit knit) that offers different support zones, in the same material as the backrest cover, or with fabric covers from the Wilkhahn fabric collection, then with facings sewn-in and deep top stitching lengthways to create contours. The seat upholstery panel, cushioning and covers are replaceable. With optional precision adjustable seat-depth extension of 400 to 450 mm. Seat cushions covered with Formstrick which has different support zones, colour matched with the cover on the backrest, or with fabric covers and then with facing

made of black Racer sewn in, only in the same material and colour when the seat cover is also in Racer and with deep, lengthways top stitching to create contours. All models, with the exception of the seat with cover 41/Formstrick, optionally seat with soft padding with extra cut foam fleece).

The seat upholstery panel, cushioning and covers are replaceable. The back section is the frame, optionally with Hytrel® lumbar support, in black or white to match the seat shell; height-adjustable by 60 mm in six lockable positions and can be retrofitted at any time. The back is covered in Formstrick which includes different levels of elasticity for flexible and supporting zones, optional two-ply cover made of Formstrick with integrated upholstery foam with different support zones. Colours based on the Wilkhahn sample card.

Armrests

Armrests made of fibreglass-reinforced, black through-dyed polyamide. 1D armrests whose height is adjustable in 10 lockable positions by 100 mm, in the case of 3D armrests the armrest pads can also be swivelled 50 mm in depth and by 25 degrees inwards and outwards, in the case of 4D armrests, each can also be adjusted in width by 25 mm. Armrest pads made of black through-dyed polypropylene or optionally of polyurethane foam. Also optionally without armrests.

Standards

The IN task chairs comply with the DIN EN 1335, ANSI/BIFMA X 5.1., IGR, AGR and GS standards.



Please note

If very damp, the elasticity of the Formstrick can slightly slacken, but will regain its original shape when it dries.

IN. 184 range. Product types.

Wilkhahn



184/7 task chair,
medium-height backrest, on castors



184/7 task chair,
medium-height backrest, on castors



184/7 task chair,
medium-height backrest, on castors



184/1 Counter stool,
medium-height backrest, on castors

As 184/8 model, also available for 24-hour use.

IN. 184 range. Upholstered types.

Wilkhahn



Seat with Formstrick (form-fit knit) cover



Seat with Racer cover



Backrest with single-ply Formstrick



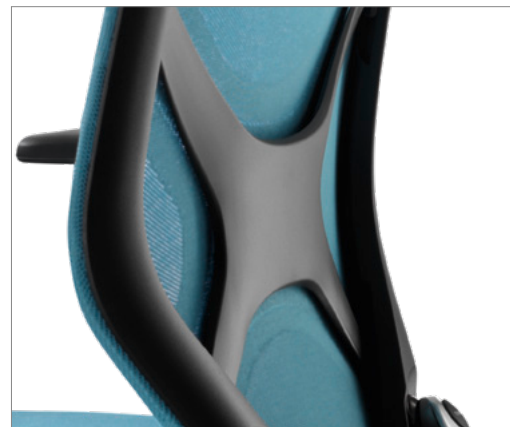
Backrest with double-ply Formstrick



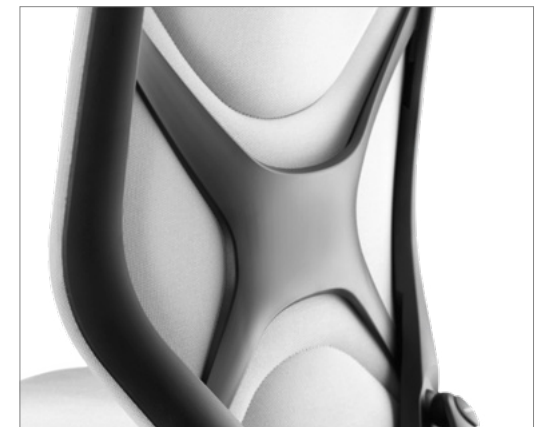
Seat with alternative Wilkhahn covers (with side facings)



Seat with alternative Wilkhahn covers, with short top stitching to create contours when optional seat-depth extension is chosen (with side facings)



Backrest with single-ply Formstrick, with lumbar support



Backrest with double-ply Formstrick, with lumbar support

IN. 184 range. Upholstery types.

Wilkhahn

Seat upholstery material (not all upholstery materials apply to all types)



37 Racer | 41 Formstrick | 54 Pitch | 60 Blend | 63 Auris | 66 Lona | 68 Kvadrat Remix 2 | 69 Granit | 91 Kvadrat Steelcut Trio 3
You can find all upholstery materials and more colours in our media center

IN. 184 range. Frame versions.

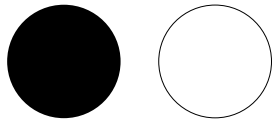
Wilkhahn

Frame surfaces



Aluminium high-lustre polished or polished, black, black matt, silver satin finish, turquoise, grey, orange or red matt coated. Five-star base also in black plastic.

Seat and back frame



Black or white

The digital sample colours differ from the originals.
You can find our current fabric collection in our media center.

IN. 184 range. Accessories and other items.

Wilkhahn



Trimension® with front tilt



Seat-depth extension



Seat-depth extension



Additional height-adjustable lumbar support



Without armrests



Anti-static castors



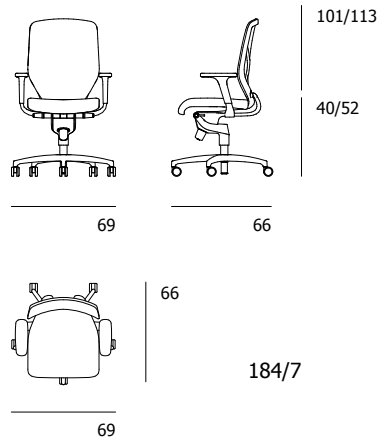
3D armrests, armrest pads made of PP

Further accessories not pictured: armrest pads made of polyurethane foam for 1D, 3D and 4D armrests

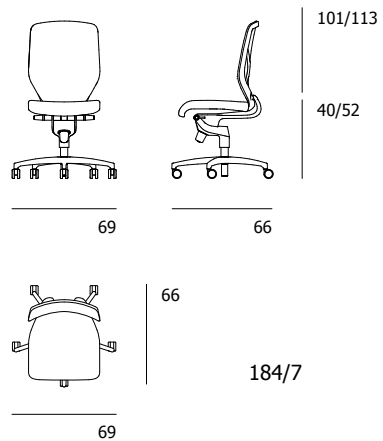
IN. 184 range. Models and dimensions.

Wilkhahn

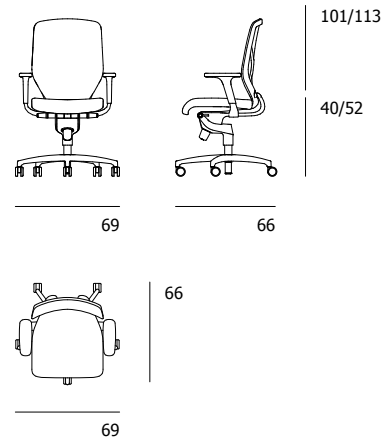
184/7
Task chair



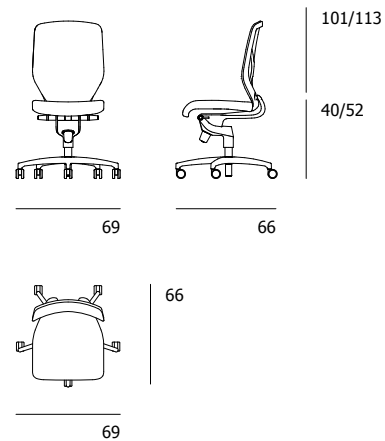
184/7
without armrests



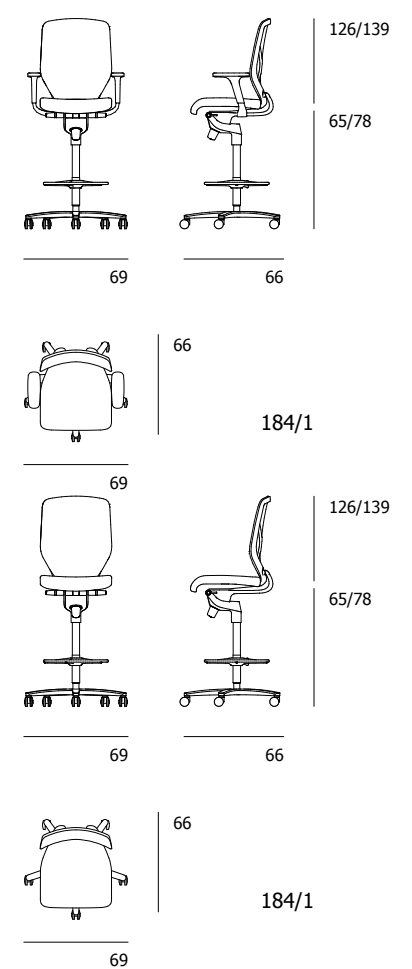
184/8
24-hour chair



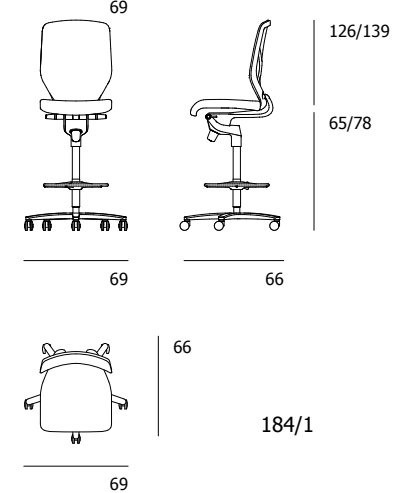
184/8
without armrests



184/1
Counter chair



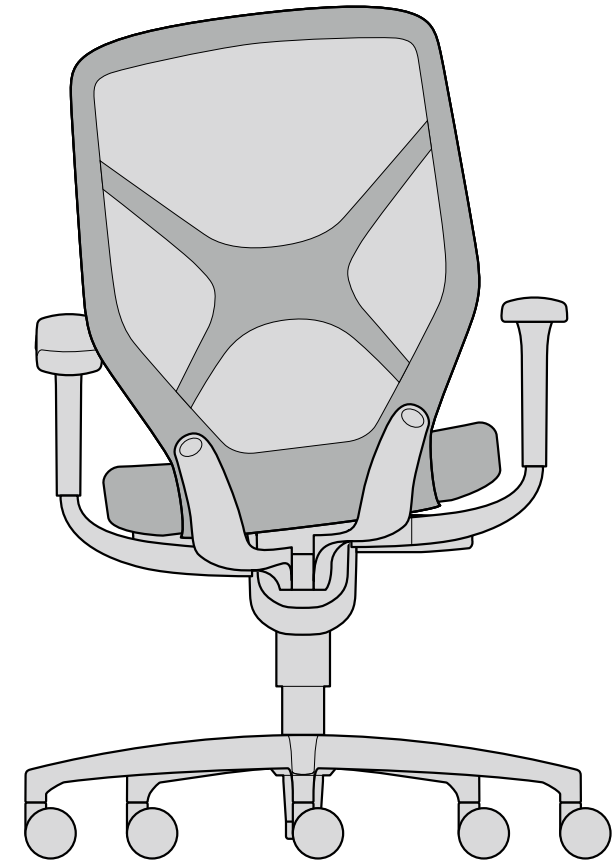
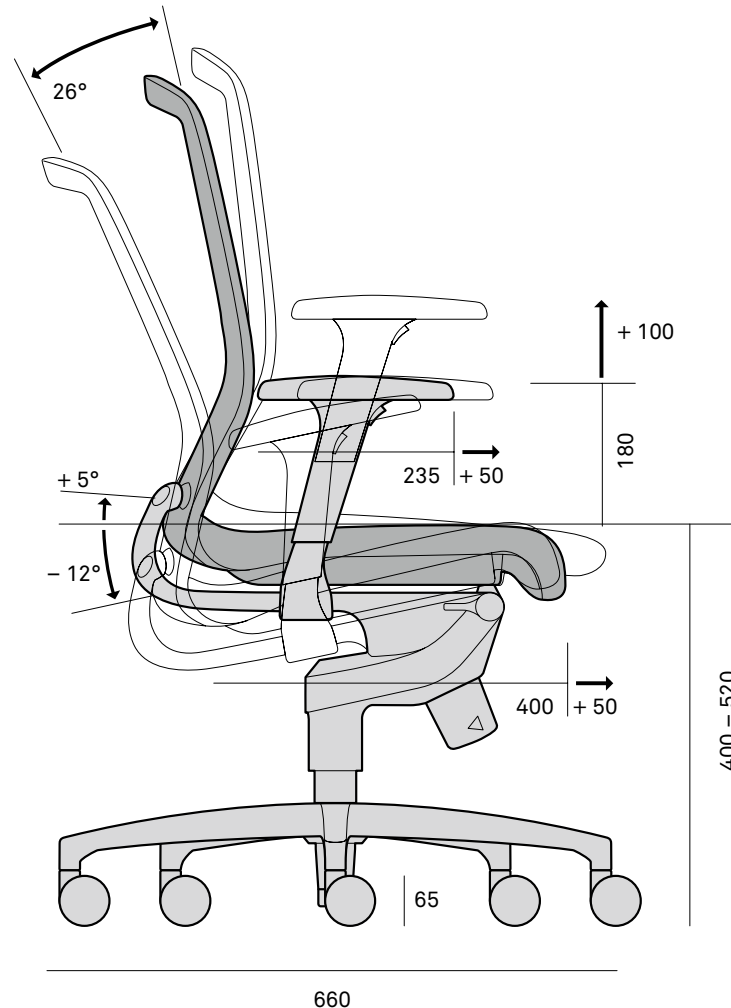
184/1
without armrests



IN. 184 range. Models and dimensions.

Wilkhahn

Trimension® lies at the heart of IN. This integrated, synchro-supporting 3D kinematics allows the right and left-hand sides of the seat to lean in any direction via two swivel arms that move independently of one another. The goal is to activate the natural range of motion that our pelvises are capable of by flexing, extending, leaning sideways or rotating them. With its patented Trimension®. Wilkhahn has taught seating to walk. This kinematics offers a type of dynamic seating which is exceptional to date and which mirrors the way people's joints naturally work. Two sliding joints close to the knees and two socket joints near the hips are connected via the swivel arms just like thighs. The range of motion includes synchronous leaning backwards and forwards from -12° to 0° , or includes activating an opening angle of up to 5° in the seat and an up to 26° tilt in the back. At the same time, the seat and back can be tilted sideways from the horizontal by up to 13° . The counter pressure provides support in any direction and infinite adjustment of the elasticity allows it to adapt to people weighing between 45 to 140 kg.



IN. 184 range. Awards / standards / certificates.

Wilkhahn

Awards



Product certificates / product standards



DIN EN 1335 ANSI/BIFMA X5.1 IGR and AGR standards

Not all certificates / standards apply to all types.

Company's certificates, memberships



Environment and product

Sustainability included.

Just like its big brother ON, where Trimension® was used for the first time, IN has also been designed to provide the best in form and function. It's also made to last. Its dynamic 3D seating concept, enhanced added value due to its health-giving benefits, first-class materials and superb craftsmanship make it an excellent choice. Its modular and service-friendly design make replacing expendable parts, covers and upholstery easier and extends its useful life. The chair does of course come with CFC-free foam cushions and eco-friendly materials. Wherever technically possible, we've used materials that can be recycled. Each part is labelled so that it can be properly recycled. As a result, in the simplest version, up to 94% of IN can be recycled or up to 93% where the superior version is concerned.

- The materials marry extreme precision with robust stability. The star bases consist optionally of die-cast aluminium, or through-dyed, glass fibre-reinforced reinforced polyamide and the swing plates of die-cast aluminium. The flexible seat shell and backrest frame are made of high-performance polyamide and the armrest of glass fibre-reinforced polyamide. The mechanism housing is made of die-cast aluminium with bellows to accommodate the flexibly mounted central spring made of black through-dyed polypropylene and thermoplastic elastomer. All aluminium and polypropylene components comprise a maximum of recycled materials and can be fully recycled.
- The seat cushions are made of CFC-free covered polyurethane. With seat upholstery panels they can also be replaced, alongside the cushioning and covers.
- The adjustment and motion functions are simplicity itself and offer ease of use. Consequently, if a chair wears out it can be easily repaired or parts retrofitted to extend its useful life.

The worldwide new standard in three-dimensional dynamic seating is equally straightforward and high quality. Due to its smart design the number of parts has been reduced. The integrated multiple functions are eco-friendly and offer excellent value.

You can find our environmental product information in our media center.